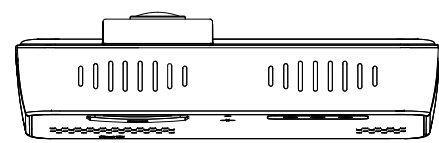
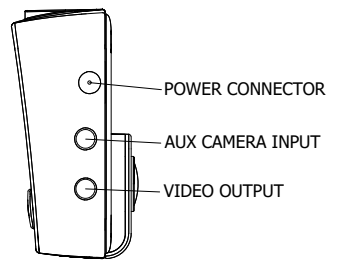
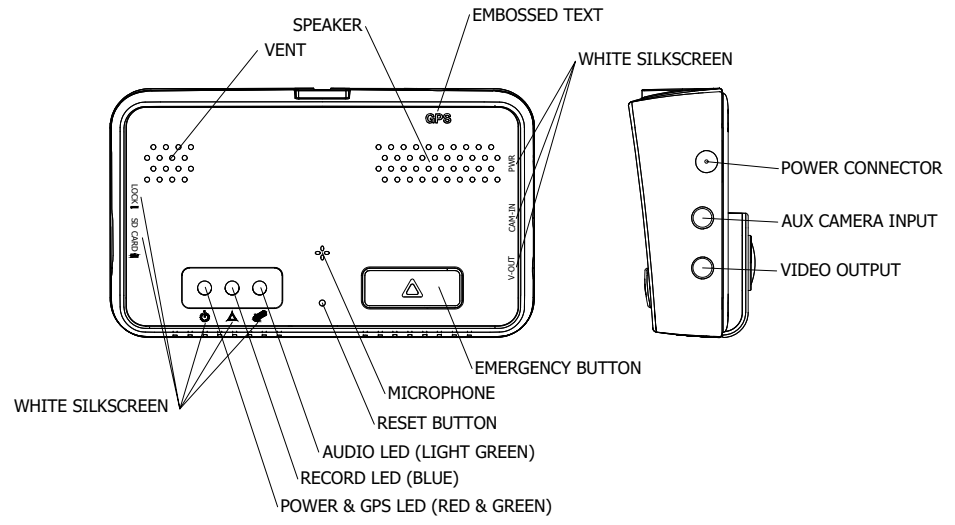
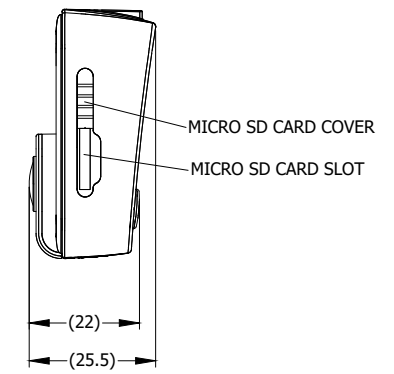
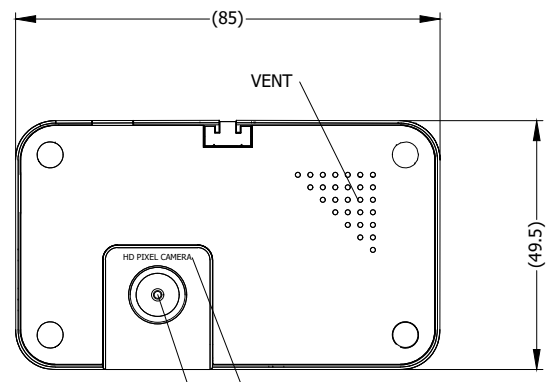
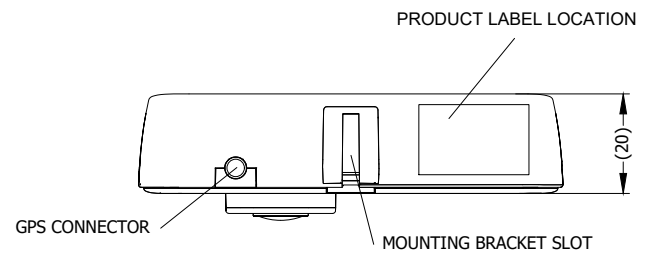
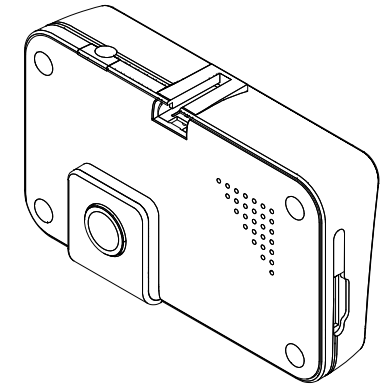


Revision Notes:				
R1 - FW UPDATED FROM V 1.0.8 TO 2.0.8 AS PER ECR-A450				
APA: C.CHOI	Drawn:- W.BEAZLEY	Checked:R.BATES	Approved:D.WALLIN	Date: 28/06/2016
R2 - FW UPDATED FROM V 2.0.8 TO 2.0.9 AS PER ECR-A630				
APA: JENNY	Drawn:W.BEAZLEY	Checked:R.BATES	Approved:D.WALLIN	Date: 14/06/2018



- NOTES:**
- REFER TO PRODUCT SPECIFICATION FOR PRODUCT SPECIFICATIONS.
 - SILKSCREEN TEXT ON REAR IS WHITE.
 - SILKSCREEN PRINT ON FRONT IS BLACK.
 - FOR PRODUCT/SERIALNUMBER LABEL REFER TO LATEST REVISION OF DRAWING BE-002841-XX-14.
 - FIRMWARE 2.0.9 TO BE LOADED.



PROPRIETARY NOTICE
 THIS DESIGN AND TECHNICAL INFORMATION APPEARING ON THIS DRAWING IS THE PROPERTY OF BRIGADE ELECTRONICS, AND IS DISCLOSED IN CONFIDENCE. IT IS NOT TO BE COPIED, REPRODUCED, REVEALED TO OR EXPROPRIATED BY OTHERS, EITHER IN WHOLE OR IN PART WITHOUT THE EXPRESS WRITTEN CONSENT OF BRIGADE ELECTRONICS.



Assembly Pl Approval K.LEE - 25/03/14	Approved by S.MATTHEWS	Checked by R.BATES	Drawn by B.CHILDS
Angle of Projection 	Units mm	Scale N/A	Released 25/03/14
Status RELEASED	Part No 4506	Assembly Ref EDR-101	
Third Angle		BE-002820-02-14	